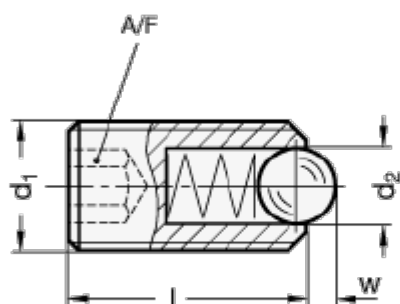


Article number: 206153M8KSN

Description: E+G stainless steel spring plungers 615.3-M8-KSN

Measures



Thread locking **PFB**
Polyamide patch
for type **KN**



Thread locking **PFB**
Polyamide patch
for type **KSN**



Thread locking **MVK**
Micro encapsulation precote
(for all types)

A/F	= 4
d1	= M8
d2	= 4.5
l	= 18
Max. spring load in N	= 62
Preload spring pressure in N	= 36
w	= 1.5